

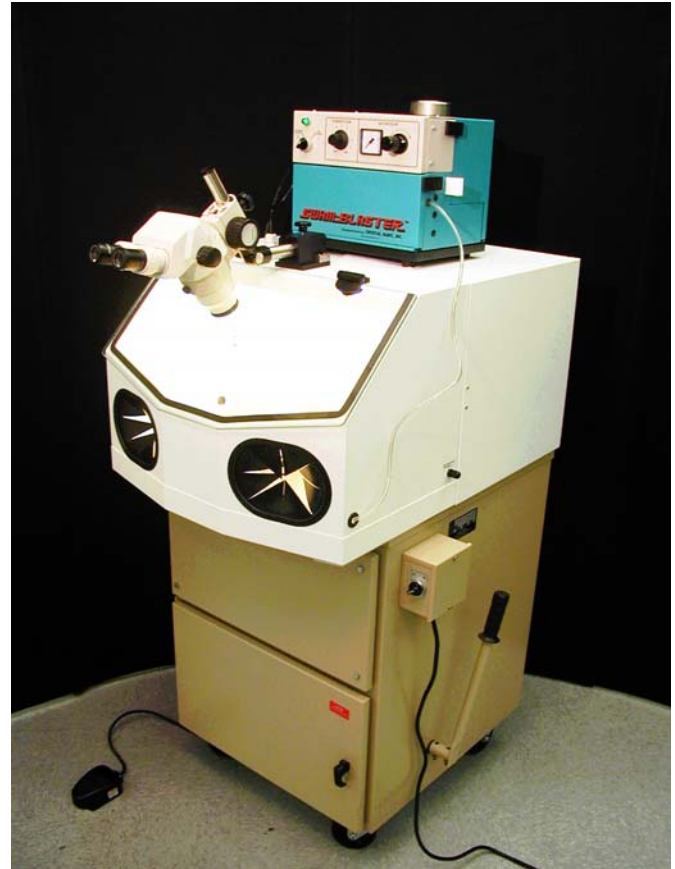


# The SWAM-Blaster® Conformal Coating Removal Work Cell

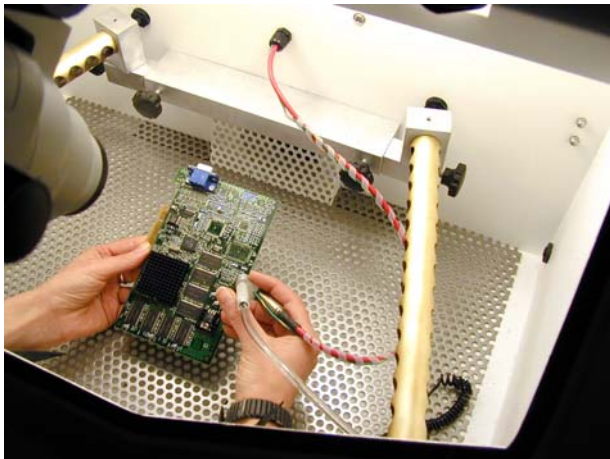
Consisting of:

- SWAM-Blaster® Model MV-2L
- Ionized Ergonomic Work Chamber
- Point Ionizer™ at Nozzle
- Dust Collector

All in one and mounted on casters for easy installation and work cell re-configuration.



**ENVIRONMENTALLY FRIENDLY  
NO SOLVENTS!**



*Optional: Microscope and Mount for close work*



*Optional: ESD Field Meter for testing system*

Represented by:

### Options:

Microscope & Mount Part No. 5060-1	\$2,050.00
ESD Field Meter System Part No. 6038-1	\$925.00

**CRYSTAL MARK, INC.**

A SWAN TECHNOLOGIES CORPORATION

613 Justin Avenue Glendale, California 91201-2396

(818)240-7520 • (800)659-7926 • FAX (818)247-3574

www.crystalmarkinc.com • sales@crystalmarkinc.com



# Environmentally Friendly Conformal Coating Removal

## No Solvents!

**CRYSTAL MARK, INC.** manufactures a micro sandblast system that will safely and selectively remove most types of conformal coatings from various components including printed circuit boards without causing mechanical or ESD damage.

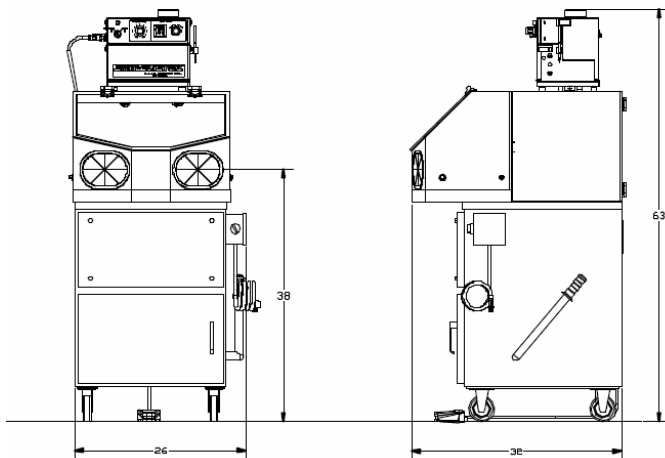
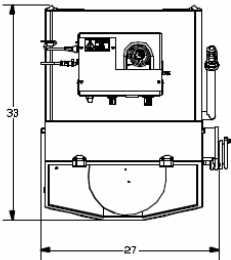
The **SWAM-BLAST®** Model MV-2L Micro Sandblaster was specifically designed to selectively remove conformal coatings from pin-point areas to an entire surface. With the unique tilt powder tank design, the Model MV-2L offers flexibility to quickly change from one abrasive powder to another for the various types of conformal coatings available. The MV-2L also features independently adjustable powder flow control and air pressure regulation, easy access to the abrasive pathway for maintenance as well as large carbide lined components throughout the abrasive pathway for extended wear life and optimum powder volume.



When conformal coated components are sensitive to Electro-Static Discharge (ESD), the **Point Ionizer™** effectively reduces the ESD from reaching levels that could potentially cause damage to the component during the removal process.

There are several types of abrasive powders available for conformal coating removal including **Environmentally Friendly Carbo Blast™** and **Soda Bicarbonate**. **Carbo Blast™** is the softest and successfully removes most types of conformal coatings including **Parylenes, Silicones, Urethanes, Epoxies, Acrylics** and their blends. Great for PCBs as it does not cause mechanical damage to the butter coat of the board. Soda Bicarbonate is more aggressive than Carbo Blast, it too is water soluble and can be used to selectively remove solder mask and oxidation. Plastic Blast is another abrasive powder. It is harder than Soda Bicarbonate and can remove many conformal coatings.

**CRYSTAL MARK, INC.** offers additional components to complete the micro sandblasting system for conformal coating removal including Work Chambers (standard and ionized), Black Light Bulbs for UV detection, Dust Collectors and Electro Static Field Meter for periodic ESD metering.



### Specifications:

<b>Model / Part Number:</b>	CCR-CWC-MV-2L
<b>Power:</b>	115V/60Hz, 1 phase, 15 amps
<b>Motor:</b>	1 horsepower blower
<b>Chamber Interior:</b>	24" wide, 17" high x 19" deep
<b>Window:</b>	Tempered Glass
<b>Air Flow:</b>	400 cfm
<b>Filter:</b>	55 sq. ft. cotton sateen
<b>Silencer:</b>	Built into cabinet, 67db sound level
<b>Air Requirement:</b>	5 SCFM at 140 psi max, 40 psi min